

# Instructions

## Alarm Board WV-PB5564

# Panasonic®

Before attempting to connect or operate this product, please read these instructions completely.

### Caution

When handling this board, hold only by circuit board edges. Otherwise components on the board may be damaged by static electricity.

## PREFACE

The Alarm Board WV-PB5564 is provided for expanding the system capability of the Matrix Switcher WJ-SX550.

## APPEARANCE

### 1. Alarm Number display

This display indicates the of alarm input number when the associated alarm sensor unit is activated.

### 2. Mode Selection Switch (MODE)

This rotary switch, in combination with the test switch, is used to select the alarm test mode.

**Mode 0:** Press the Test Switch to receive, from memory, a chronologically organized display (in the Alarm Number Display) of all alarms received from the Alarm Input Connector.

**Mode 1:** Press the Test Switch to simulate receiving alarm inputs 1-64 in ascending order, one alarm per second. Use this mode to test the system for Alarm Mode-1, Mode-2 or Mode-3 set up.

**Mode 2:** Press the Test Switch to simulate receiving alarm inputs 1-64 all at the same time. Use this mode to test the system for Alarm Mode-1, Mode-2 or Mode-3 set up.

**Mode 3-9:** These modes are not available.

### 3. Test Switch (TEST)

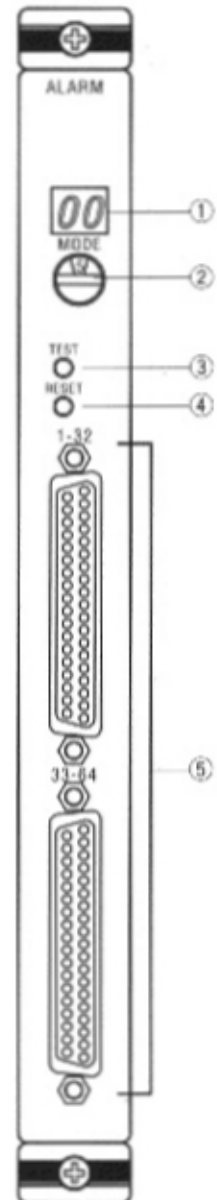
This switch is used to run the alarm test mode in combination with the Mode Selection Switch.

### 4. Reset Switch (RESET)

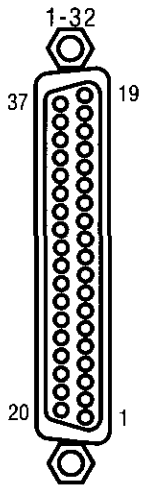
This switch is used to stop the alarm test mode or clear alarm the records from the internal memory.

### 5. Alarm Input Connector (1-32, 33-64)

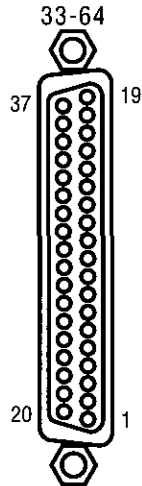
This connector accepts the alarm signals, either normally open or normally closed, from the associated alarm sensor unit.



	Normal Condition	Alarm In	Alarm Signal
Normally Open (NOR OPEN)	(Open) Alarm Sensor 	(Close) Alarm Sensor 	
Normally Closed (NOR CLOSE)	(Close) Alarm Sensor 	(Open) Alarm Sensor 	



Pin No.	Configuration	Pin No.	Configuration
1	Alarm 1	20	Alarm 20
2	Alarm 2	21	Alarm 21
3	Alarm 3	22	Alarm 22
4	Alarm 4	23	Alarm 23
5	Alarm 5	24	Alarm 24
6	Alarm 6	25	Alarm 25
7	Alarm 7	26	Alarm 26
8	Alarm 8	27	Alarm 27
9	Alarm 9	28	Alarm 28
10	Alarm 10	29	Alarm 29
11	Alarm 11	30	Alarm 30
12	Alarm 12	31	Alarm 31
13	Alarm 13	32	Alarm 32
14	Alarm 14	33	Not used
15	Alarm 15	34	Not used
16	Alarm 16	35	Not used
17	Alarm 17	36	Ground
18	Alarm 18	37	Ground
19	Alarm 19		

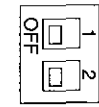


Pin No.	Configuration	Pin No.	Configuration
1	Alarm 33	20	Alarm 52
2	Alarm 34	21	Alarm 53
3	Alarm 35	22	Alarm 54
4	Alarm 36	23	Alarm 55
5	Alarm 37	24	Alarm 56
6	Alarm 38	25	Alarm 57
7	Alarm 39	26	Alarm 58
8	Alarm 40	27	Alarm 59
9	Alarm 41	28	Alarm 60
10	Alarm 42	29	Alarm 61
11	Alarm 43	30	Alarm 62
12	Alarm 44	31	Alarm 63
13	Alarm 45	32	Alarm 64
14	Alarm 46	33	Not used
15	Alarm 47	34	Not used
16	Alarm 48	35	Not used
17	Alarm 49	36	Ground
18	Alarm 50	37	Ground
19	Alarm 51		

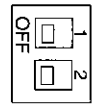
## BOARD SETTING

Before installing this board, the following settings should be made by qualified service personnel or system installers.

1. Confirm switches (SW1/SW12) on the board are set to the following positions.



SW1  
UNIT ADR



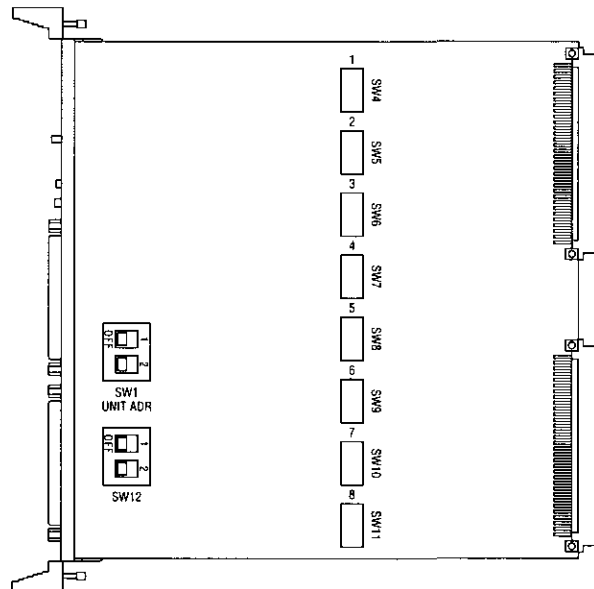
SW12

### Note

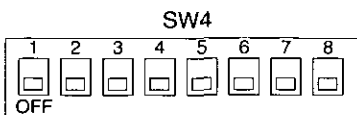
These switches are used only for factory test.  
Always keep these switches in the "OFF" positions in the field.

2. Set switches (SW4 - SW11) on the board to meet the alarm input requirements. Initially, normally open (NOR, OPEN) positions are selected at the factory.

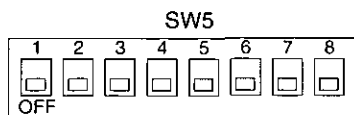
	Switch No.	Alarm Input
1	SW4	1 - 8
2	SW5	9 - 16
3	SW6	17 - 24
4	SW7	25 - 32
5	SW8	33 - 40
6	SW9	41 - 48
7	SW10	49 - 56
8	SW11	57 - 64



NOR  
CLOSE  
↑  
NOR  
OPEN



2



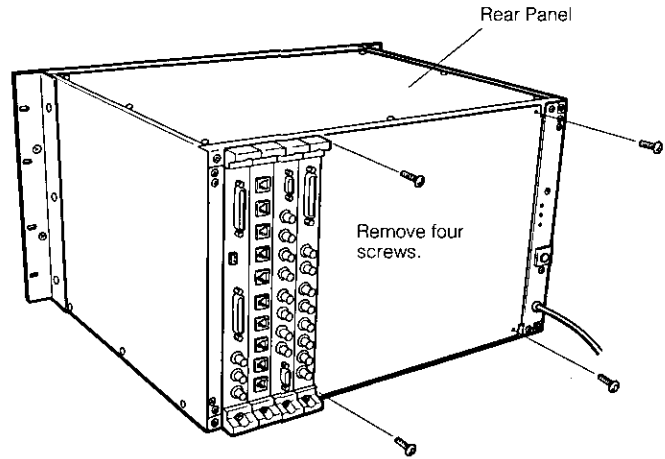
# INSTALLATION

**Caution**

Before installing this board be sure to turn off the Power Switch of the Matrix Switcher WJ-SX550.

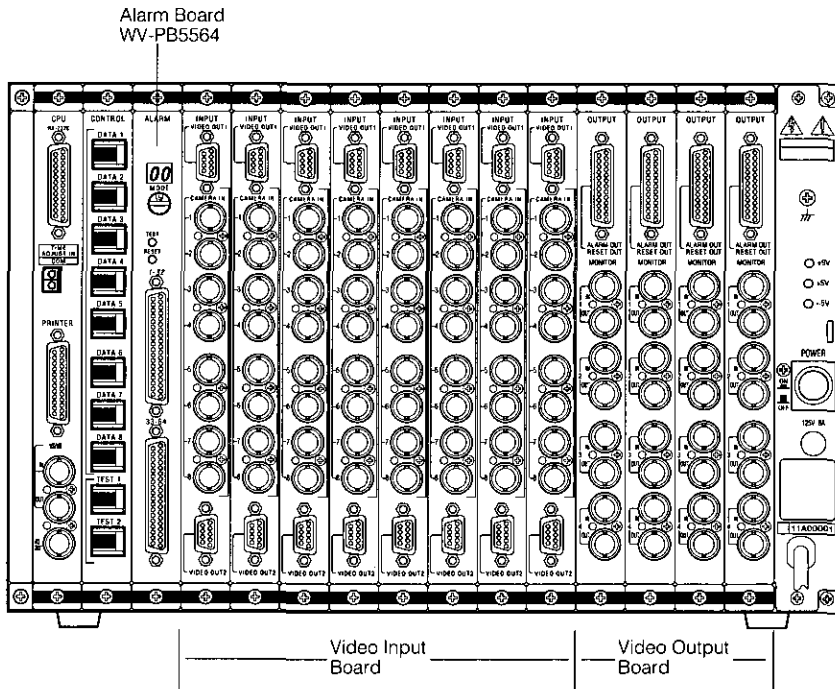
The following installation should be made by qualified service personnel or system installers.

1. Remove four screws on the rear panel of the Matrix Switcher.
2. Place the Alarm Board into the desired position in the rear of Matrix Switcher by sliding it inside the board guides.



**Note**

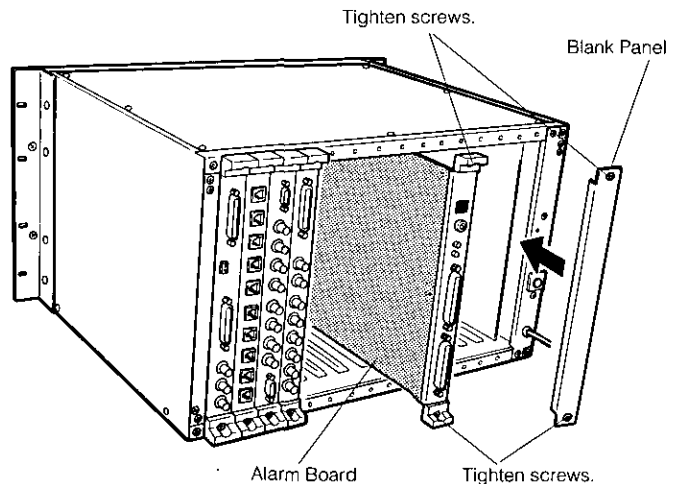
Each slot is identical, so the board can be installed in any slot. However it is recommended to install the board as shown below for an orderly installation.



3. Make sure to push in the Alarm Board until it is seated firmly.
4. Secure the Alarm Board by tightening the two screws on the board.
5. Close off open spaces on the rear of the Matrix Switcher by using Blank Panels WV-Q63 (Optional). (Refer to the instructions for WV-Q63)

**Note**

Refer to the Operating Instructions of WJ-SX550 for more details.



## SPECIFICATIONS

Alarm Input (1 - 64):	Normally open or normally closed selectable (contact time more than 100 msec.) 37 pin D-Sub connector (x2)
Dimensions:	15/16"(W) x 10-7/16"(H) x 10-1/4"(D) 24.5(W) x 265(H) x 260(D) mm
Weight:	0.9 lbs. (400g)

Weight and dimensions indicated are approximate.  
specifications are subject to change without notice.

# Panasonic

**Broadcast & Television Systems Company**

**Division of Matsushita Electric Corporation of America**  
**CLOSED CIRCUIT VIDEO EQUIPMENT DIVISION**

**Executive Office:** One Panasonic Way, Secaucus, New Jersey 07094

**Regional Offices:**

**Northeast:** 43 Hartz Way, Secaucus, NJ 07094 (201) 348-7303  
**Southeast:** 1854 Shackelford Court, Suite 115, Norcross, GA 30003 (404) 717-6835  
**Midwest:** 1707 North Randall Road, Elgin, IL 60123 (708) 468-5200  
**Southwest:** 4500 Amon Carter Blvd., Ft. Worth, TX 76155 (817) 685-1117  
**Western:** 6550 Katella Ave., Cypress, CA 90630 (714) 373-7265

**MATSUSHITA ELECTRIC OF CANADA LIMITED**

5770 Ambler Drive, Mississauga, Ontario, L4W 2T3 Canada (905)624-5010

**PANASONIC SALES COMPANY**

**DIVISION OF MATSUSHITA ELECTRIC OF PUERTO RICO, INC.**

San Gabriel Industrial Park, 65th Infantry, Ave. KM. 9.5 Carolina, Puerto Rico 00630 (809)750-4300